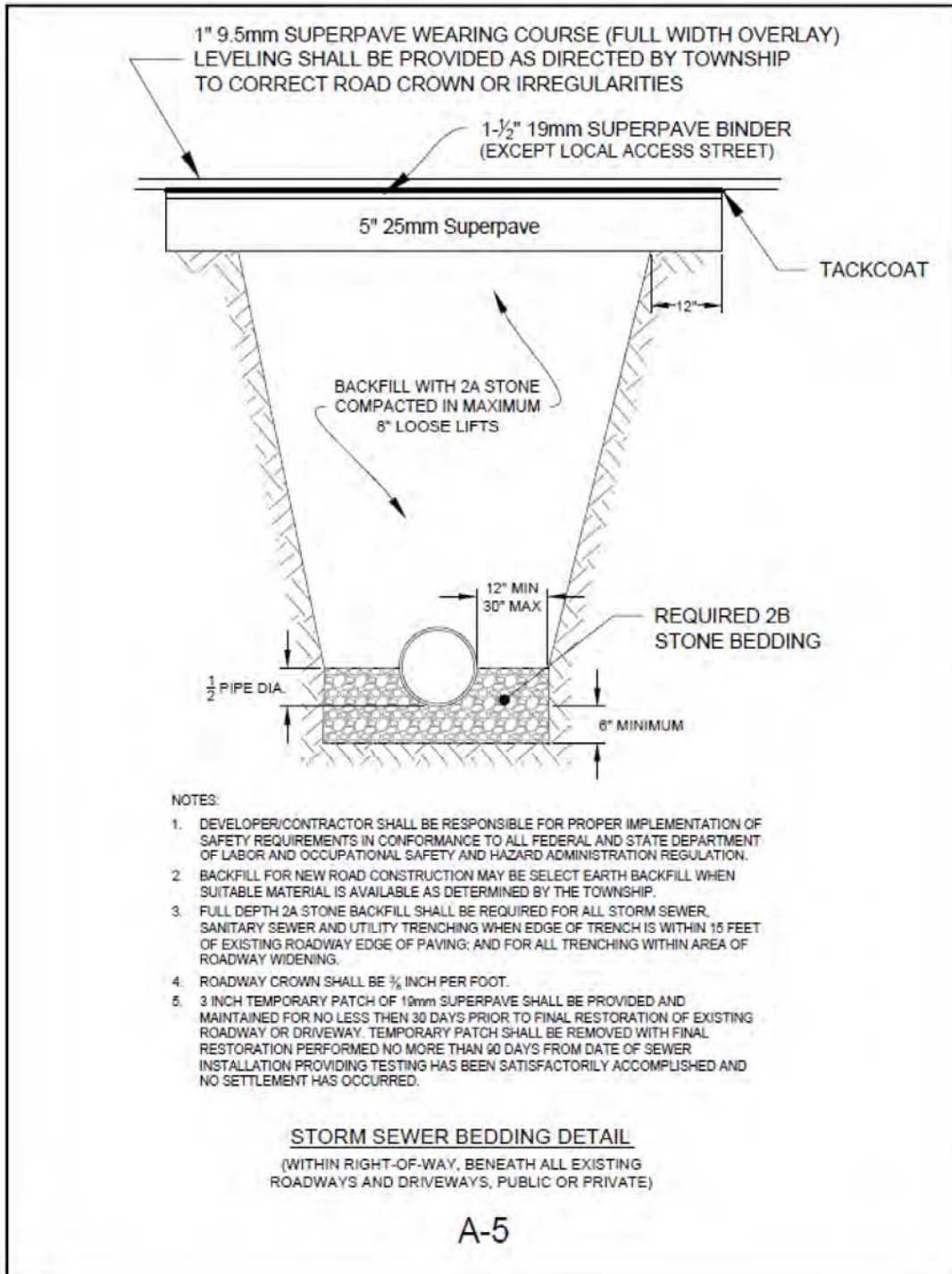


WATER

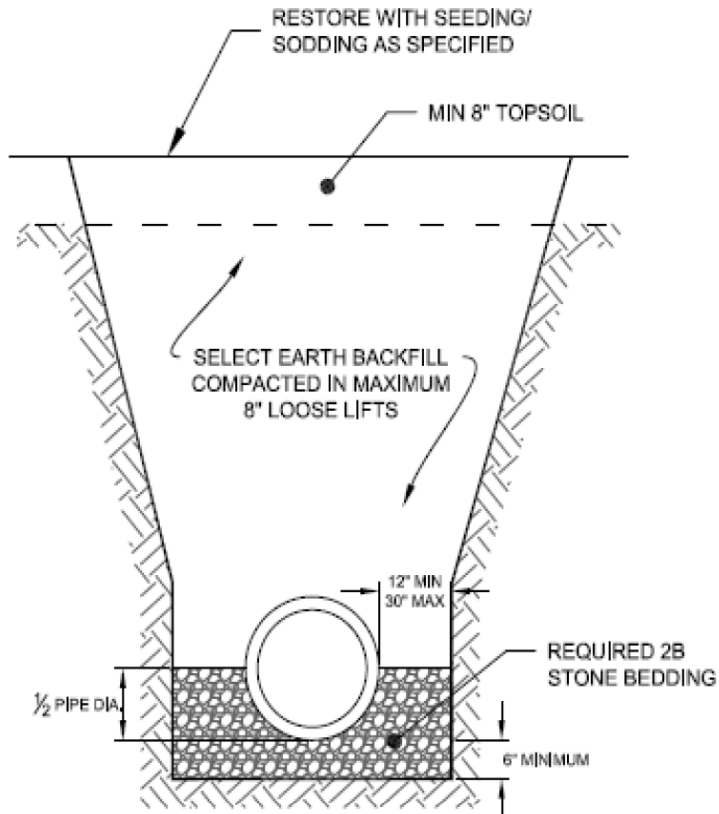
26 Attachment 12

Township of East Rockhill

Appendix L  
Storm Sewer Bedding/Backfill



EAST ROCKHILL CODE



NOTES:

1. DEVELOPER/CONTRACTOR SHALL BE RESPONSIBLE FOR PROPER IMPLEMENTATION OF SAFETY REQUIREMENTS IN CONFORMANCE TO ALL FEDERAL AND STATE DEPARTMENT OF LABOR AND OCCUPATIONAL SAFETY AND HAZARD ADMINISTRATION REGULATION.

STORM SEWER BEDDING DETAIL

(EARTHEN AREA - NTS)

A-6